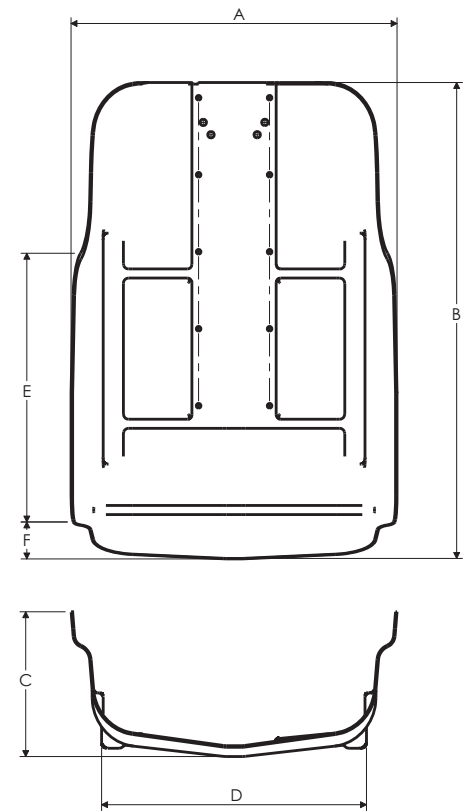
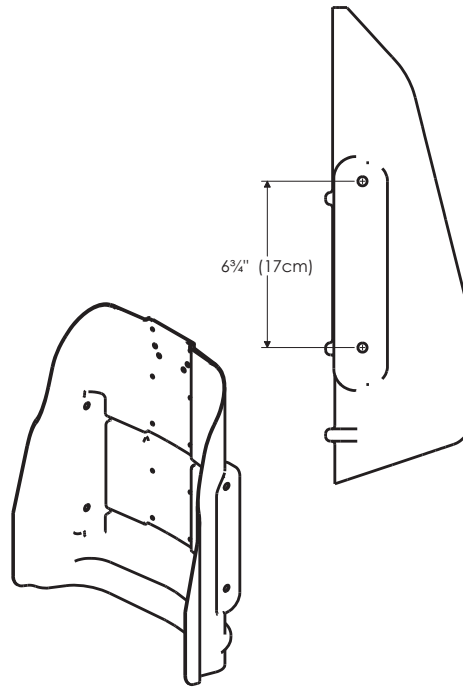


INVACARE®
Matrix® PB
 Back



MODEL NO.	A		B		C		D		E		F		TRUNK WIDTH WITH CUSHION		CUSHION DEPTH		OVERALL WIDTH WITH CUSHION		OVERALL HEIGHT WITH CUSHION		OVERALL DEPTH WITH CUSHION		BACK WEIGHT (W/O HDWR)	
	in	cm	in	cm	in	cm	in	cm	in	cm	in	cm	in	cm	in	cm	in	cm	in	cm	in	cm	lbs	kgs
	MPB1412	11¾	30	11¼	28½	5¾	14½	8½	21½	3½	9	2	5	10½	27	5	12½	13	33	13	33	6½	16½	2.6
MPB1416	11¾	30	15¼	38½	5¾	14½	8½	21½	6½	16½	2	5	10½	27	5	12½	13	33	17	43	7	18	3.4	1.5
MPB1612	13¾	35	11	28	5¼	13	11	28	6	15	1¼	3	12½	32	5	12½	15	38	13	33	6½	16½	3.0	1.4
MPB1616	13¾	35	15	38	5¼	13	11	28	6½	16½	2¼	5½	12½	32	5	12½	15	38	17	43	6½	16½	3.8	1.7
MPB1620	13¾	35	19	48	5¼	13	11	28	10	26	3	7½	12½	32	5	12½	15	38	20	51	7	18	4.6	2.1
MPB1712	14¾	37½	11	28	5¼	13	12	31	6	15	1¼	3	13½	34½	5	12½	16	41	13	33	6½	16½	3.2	1.5
MPB1716	14¾	37½	15	38	5¼	13	12	31	8	20	2¼	5½	13½	34½	5	12½	16	41	17	43	6½	16½	4.0	1.8
MPB1720	14¾	37½	19	48	5¼	13	12	31	11	28	3	7½	13½	34½	5	12½	16	41	20	51	7	18	4.8	2.2
MPB1812	15¾	40	11	28	5¼	13	13	33	6	15	1¼	3	14½	37	5	12½	17	43	13	33	6½	16½	3.4	1.5
MPB1816	15¾	40	15	38	5¼	13	13	33	6½	16½	2¼	5½	14½	37	5	12½	17	43	17	43	6½	16½	4.2	1.9
MPB1820	15¾	40	19	48	5¼	13	13	33	11	28	3	7½	14½	37	5	12½	17	43	20	51	7	18	5.0	2.3
MPB2012	17¾	45	11	28	5¼	13	15	38	5½	14	1¼	3	16½	42	5	12½	19	48	13	33	6½	16½	3.8	1.7
MPB2016	17¾	45	15	38	5¼	13	15	38	7½	19	2¼	5½	16½	42	5	12½	19	48	17	43	6½	16½	4.6	2.1
MPB2020	17¾	45	19	48	5¼	13	15	38	10	26	3	7½	16½	42	5	12½	19	48	20	51	7	18	5.4	2.5